

iSpring Water Systems

US31 USER MANUAL Ver.04/2019



iSpring Water Systems, LLC (since 2005)

Copyright ©2005-2019 ISPRING WATER SYSTEMS, LLC. All rights reserved.

System Installation

Prior to Installation

Inspect the package

Open the box and remove all of the components. Inspect them to ensure nothing was damaged during shipping. If any part is cracked or broken, please immediately contact iSpring Customer Support for a replacement.

Recommended tools list

- Variable speed drill with two bits: 1/4" (for drilling a hole on PVC drain pipe), 1/2" hollow diamond (for drilling a hole on countertop for drinking faucet)
- 5/8", 9/16" open-end wrench, or adjustable wrench, pliers
- Phillips head screwdriver
- Scissors or utility knife

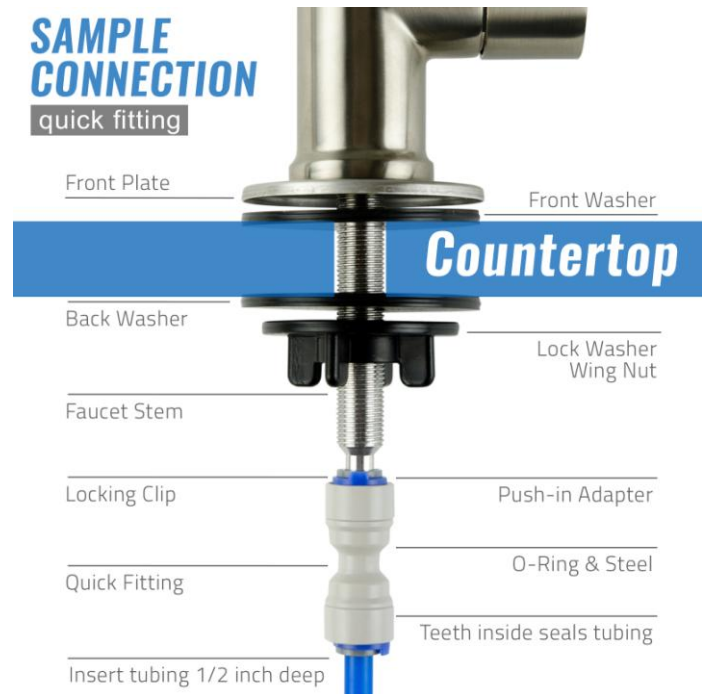
Component Identification

		
Housing	Filters (PP+ CTO + CTO)	Drinking Faucet
		
Feed Water Adapter(AFW43)	Fittings and tubing	Teflon tape, Wrench, Faucet hanger

Step 1 – Faucet Install(Standard Non-Air-Gap Faucet)

Be sure to turn off the cold water line before you start.

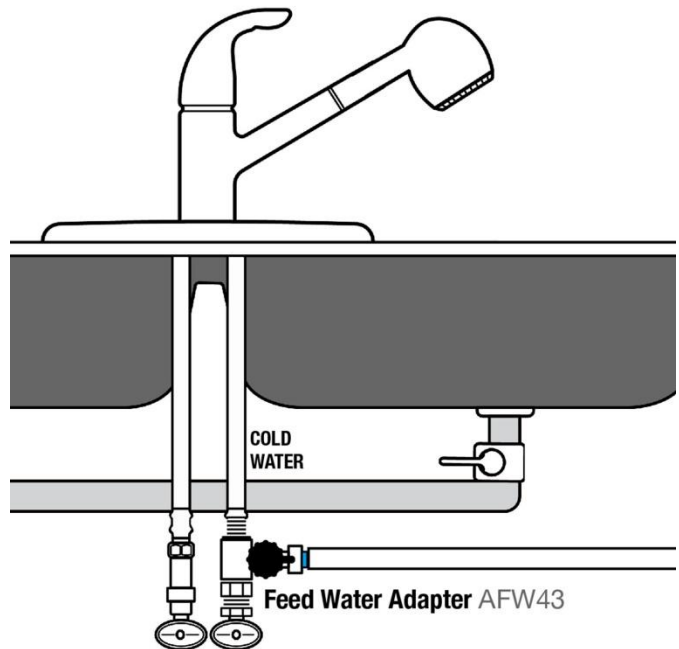
1. Most sinks have an extra hole for the mounting of additional faucets, sprayers or soap dispensers. If your sink does not already have an additional hole, you will want to drill a ½” hole for the drinking faucet.
2. Once the hole is prepared, assemble the parts of the faucet that belong above the sink. First is the faucet spout. Some faucet spouts have threads; most do not. It is not necessary to tighten the faucet spout, and is preferable to let it move freely so you can move it out of the way when you wish. Insert the faucet stem into the hole in the faucet body. No plumber's putty is needed since the small round rubber washers provide the seal.
3. The large chrome base plate goes underneath the faucet body, then the large black rubber washer.
4. From under the sink, slide the thick black washer on first followed by the lock washer. Tighten firmly into place once the faucet is properly aligned.



Step 2 – Install Water Supply Connector

1. Turn off the cold water line under the sink. Open the kitchen faucet to release any pressure and make sure the water has stopped before proceeding. Get a towel or bucket to catch any water drips.

2. Disconnect the water supply line from the cold water connection underneath the sink. Wrap the male end of the water supply connector with 3-4 wraps of Teflon tape to ensure a proper seal. Screw the female side of the feed water adapter onto the cold water line first, and then screw on the cold water line to the male end of the feed water adapter. Ensure a proper seal, but do not over-tighten.
3. When the handle of the feed water adapter is turned perpendicular to the water line, this is the "OFF" position. When in line with the water line, the connector is "ON".



Step 3 – Install Filters

1. Make sure the O-ring is seated inside the groove on top of the filter housing. A light amount of food-grade silicon jelly may be used to help the O-ring seal better, but is not required.
2. The filter cartridges are preserved in shrink wrap. Note the direction sign on the sticker before removing the wrap.
3. When placing the filter cartridge into its housing, make sure it is centered and the knob protruding from the bottom of the housing fits in the central hole of the filter.
4. Screw the housing, with filters attached, onto the housing. The cap also has a center knob which should be inserted into the center hole of the filter cartridge. Twist the housing on in a clockwise direction by hand, and then use the housing wrench to tighten it another 1/4 – 1/2 of a turn. **Do not over-tighten. This can cause leaks and make it difficult to unscrew the housing when replacing filters.**



Follow steps 1-4 to install the rest of filters.

Step 4 – Fitting and Tube Connections

1. **Fittings:** Wrap the male end of the fittings with 4-5 wraps of Teflon tape to ensure a proper seal, and then screw them into each side of the system. Do not over-tighten.
2. **Supply Tube:** Insert the tube into the fitting until you reach the $\frac{5}{8}$ " mark on the tube. Pop the blue lock clip back on the fitting. This will lock the tube in place and prevent it from moving.
3. **Faucet Tube:** Slide the brass nut and tube collar onto the tube. Fully insert the tube into the end of the tube. Slide the tube collar towards the tube insert until it stops. Insert the tube into the tapered, open end of the threaded metal inlet. Screw on the brass nut and tighten it up. The brass nut compresses the plastic tube collar onto the tapered metal surface and creates a water seal between them while the tube insert stiffens the tubing.

Installation Tips

How to use the Quick-Connect fittings

To connect:

1. Check and cut the tubing end squarely and cleanly with utility knife or scissors.
2. Make a $\frac{5}{8}$ " mark at the end of the tube so you will be able to confirm when the tube is inserted fully into the fitting.
3. Remove the blue lock clip from the fitting with your nail. If the lock sleeve pops out of the fitting when doing this, simply pop it back in.
4. Insert the tube into the fitting until you reach the $\frac{5}{8}$ " mark on the tube. You will feel resistance when the tube reaches the small rubber O-ring inside the fitting. You will need to wiggle the tube and apply additional pressure to get it past this O-ring and create the seal. **If the tube is not $\frac{5}{8}$ " into the fitting and past the O-ring, no seal will be created and leaking will occur.**
5. Once the tube is fully inserted into the fitting, pop the blue lock clip back on the fitting. This will lock the tube in place and prevent it from moving.



- To Connect: Push tubing into Lock Sleeve and reach bottom about 1/2 inch deep
- To Disconnect: Remove Lock Clip, while **PRESSING Lock Sleeve DOWN** to eliminate Gap, pull out tubing



To disconnect:

1. Remove the blue lock clip from the fitting.
2. With the blue lock clip removed, use your thumb and index finger to hold down the lock sleeve. This will release the metal teeth holding the tube in place. While holding the lock sleeve down with that hand, use your other hand to remove the tube from the fitting.



With two fingers
PUSHING IN and PRESSING DOWN
 Lock Sleeve, pull out tubing

Step 5– System Start-Up



When everything is in place, open the drinking faucet and lock it open. Slowly open the water supply connector and allow water to flow into the unit, eventually exiting through the faucet. Check for leaks.

Allow the faucet to remain open to rinse the unit for at least five minutes. It is normal to see residual carbon and fine air bubbles in the water when flushing the system for the first time. If the faucet drips a bit when closed, this is also normal for the first couple of days and is the result of pressure from trapped air. This too shall pass.

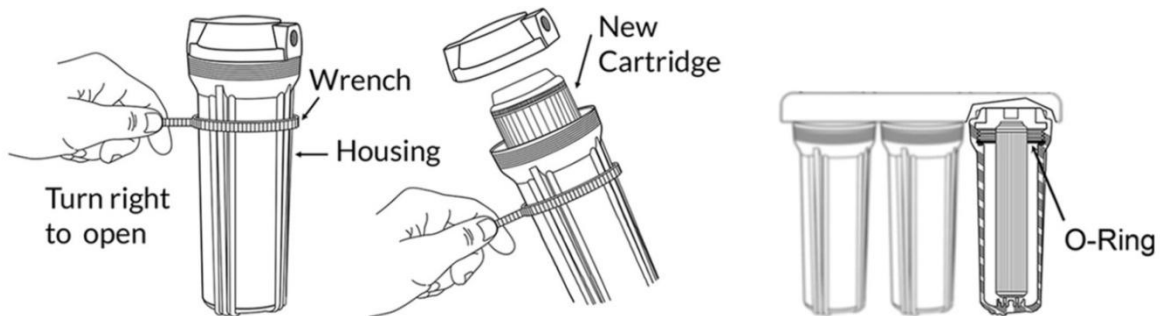
*Check for leaks daily for the first week and occasionally thereafter.

Step 6 –How to Change Filters

1. Shut off the cold water supply valve. Place a bucket or towel under the system to catch any water spills.
2. If there is enough room under the sink and the filter system is hung on the wall, you can twist the filter housing off without removing the system from the wall. Otherwise, you will need to pull the system out, lay it down, and remove the housing at that point. Be careful with the tubing connections when removing the system.
3. Twist off the filter housings in a counter clockwise direction using the filter housing wrench.
4. Refer to installation Step 3 to install the new vertical filter cartridges, and tighten the filter housings back on.



Remember not to over-tighten them or they will be hard to unscrew next time.



Average Maintenance Schedule

Cartridge Description	6 Months	1 Year	2-4 years
Sediment Filter	✓		
Carbon Block Filter	✓		

Warranty Registration

To register your product for the warranty, please visit our website at 123filter.com and go to the “Warranty Registration” tab.

We provide a 30-day money back guarantee, a 1-year manufacturer warranty, and lifetime tech support for all of our products. However, we do not have the order information from websites other than 123Filter.com (Amazon, Home Depot, etc.), so please be sure to fill in that information upon registration of your system. If you have any questions or concerns about your product, please do not hesitate to call or email us, or put it in the notes/comments upon your warranty registration. Your satisfaction is our business!

If you are happy with our products and service, please show your support by writing a product review on Amazon. Even just a single line takes you just a minute, but means a lot to us. Thank you!



Contact Us

Office Hours: Monday-Friday, 8:30 am - 5:30 pm EST

Phone: (678) 261-7611

Email: support@123filter.com